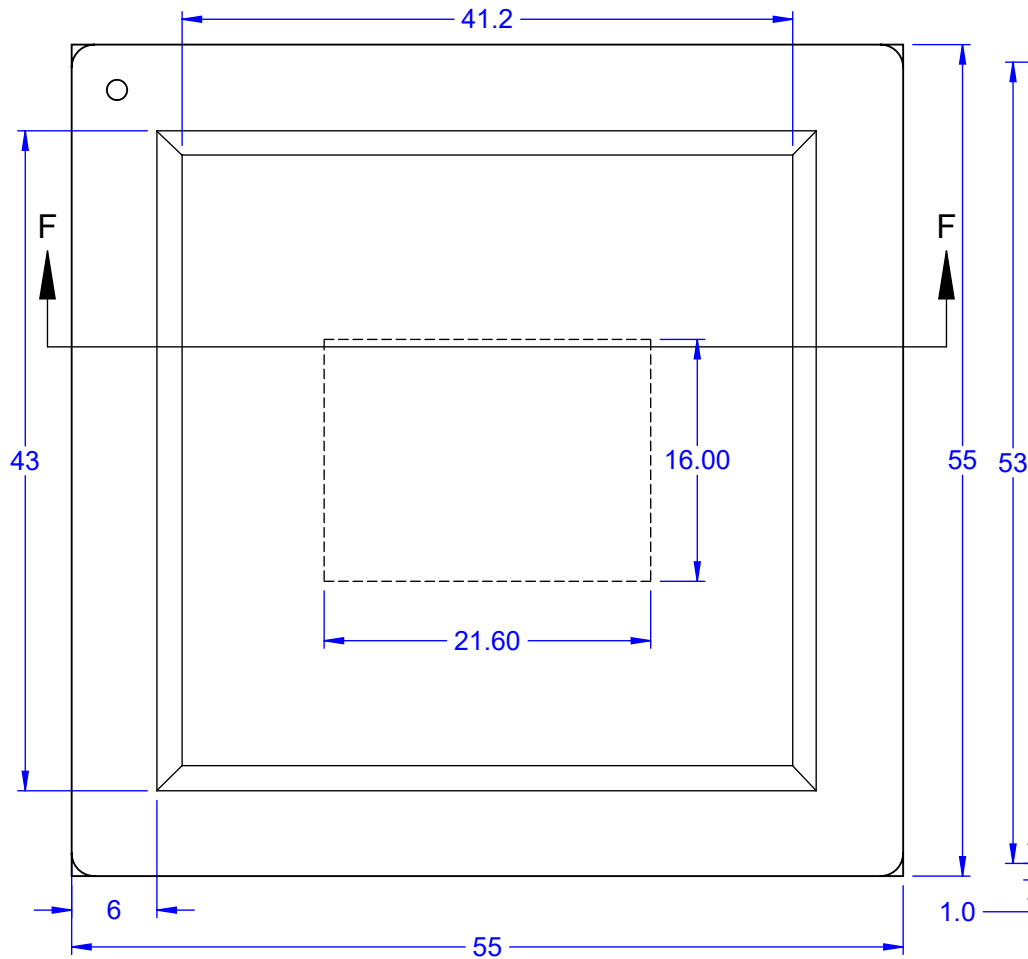
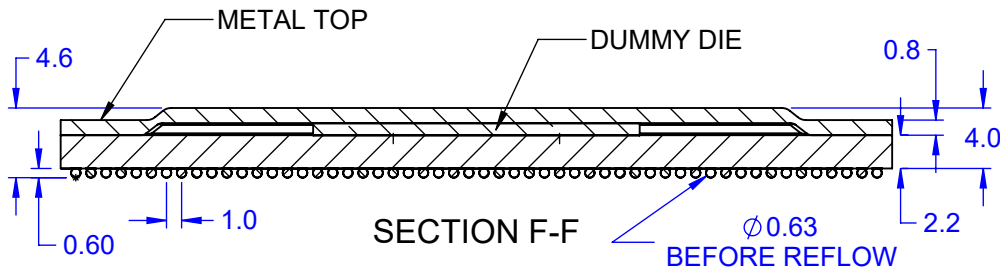
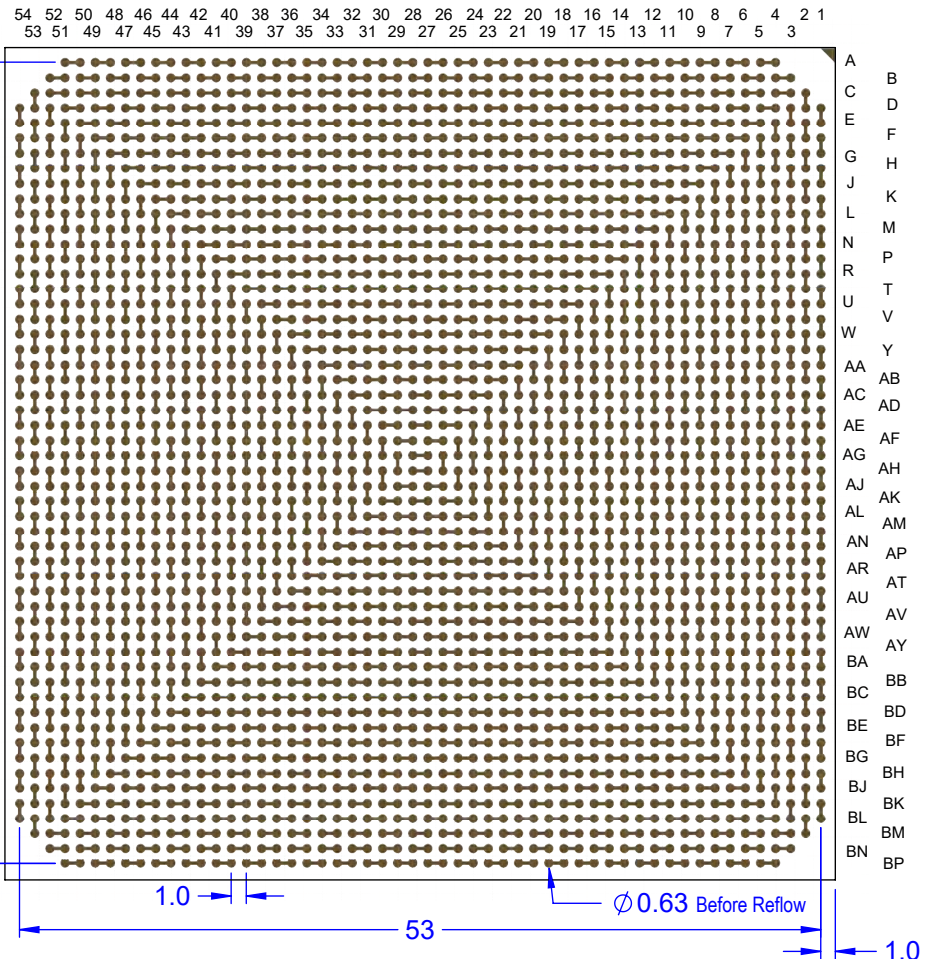


TOP VIEW




BALL VIEW



Notes: (Unless Otherwise Specified).

- 1) ALL DIMENSIONS ARE IN MM.
- 2) SOLDER BALL ALLOY: SEE PART NUMBER TABLE.
- 3) BALL DIAMETER (BEFORE REFLOW): 0.635mm (25 MIL).
- 4) SOLDER MASK DEFINED PAD OPENING: 0.50mm (19.7 MIL).
- 5) PAD Cu DIAMETER: 0.635mm (25 MIL).
- 6) SUBSTRATE MATERIAL: BT ORGANIC.
- 7) DUMMY DIE Si (SILICON) 21.6 x 16 x .787mm.
- 8) DAISY CHAIN PATTERN (SEE PAGE 2).
- 9) MSL-3 RECOMMENDED BAKING 24 HOURS @ 125°C TO REMOVE MOISTURE PRIOR SOLDERING TO PC BOARD.

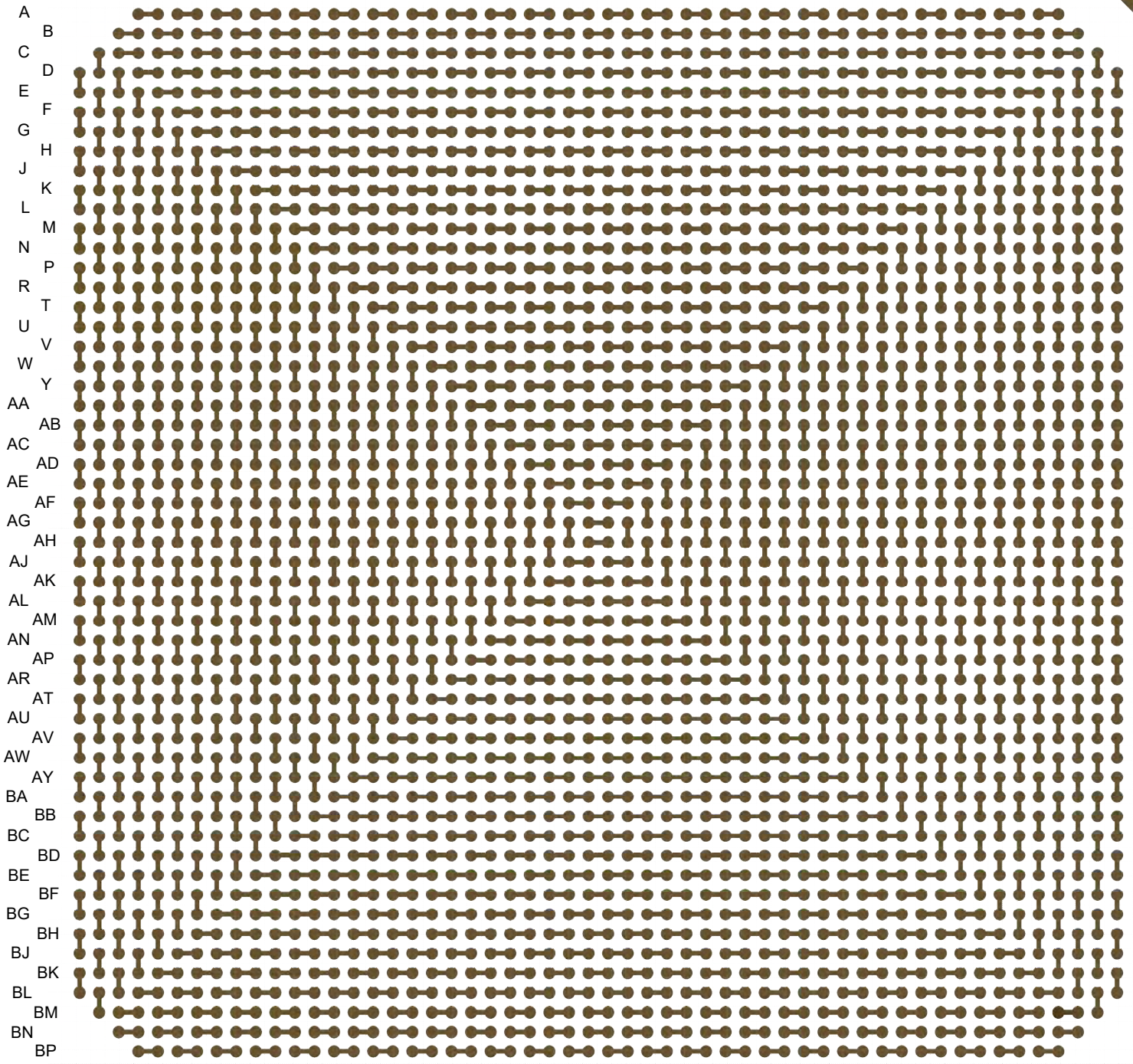
PART NUMBER TABLE				
PART NUMBER	BALL ALLOY	BALL ALLOY	RoHS	Si DIE
SBGA2892T1.0C-DC547D	Sn96.5/Ag3.0/Cu0.5	SAC305	YES	YES
SBGA2892T1.0-DC547D	Sn63/Pb37	Sn63	NO	YES

APPROVALS	DATE					
DRAWN T.Au	6/2/2024					
ENG M. Hart	6/2/2024	TITLE SBGA2892T1.0-DC547D DAISY CHAIN DUMMY				
MFG		SCALE 1.75:1		SIZE A	DRAWING NO. 515475	REV A
QA						
CUST						
REVISED		DO NOT SCALE DRAWING			SHEET 1 OF 10	

BALL VIEW

54 52 50 48 46 44 42 40 38 36 34 32 30 28 26 24 22 20 18 16 14 12 10 8 6 4 2
 53 51 49 47 45 43 41 39 37 35 33 31 29 27 25 23 21 19 17 15 13 11 9 7 5 3 1

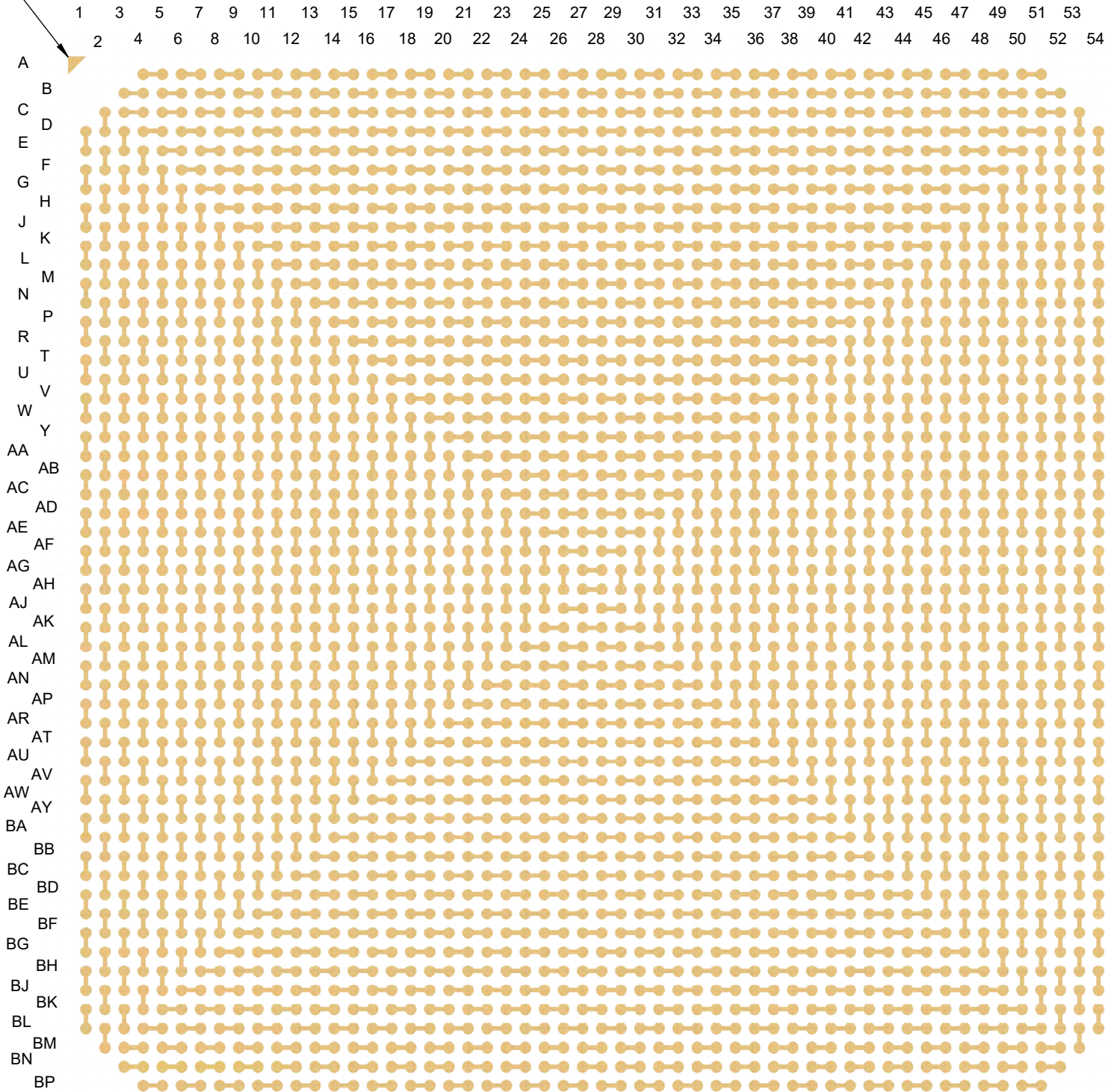
PIN A1



TopLine[®]			
TITLE		SBSGA2892T1.0-DC547D DAISY CHAIN DUMMY	
SCALE	SIZE	DRAWING NO.	REV
3.5:1	A	515475	A
DO NOT SCALE DRAWING			SHEET 2 OF 10

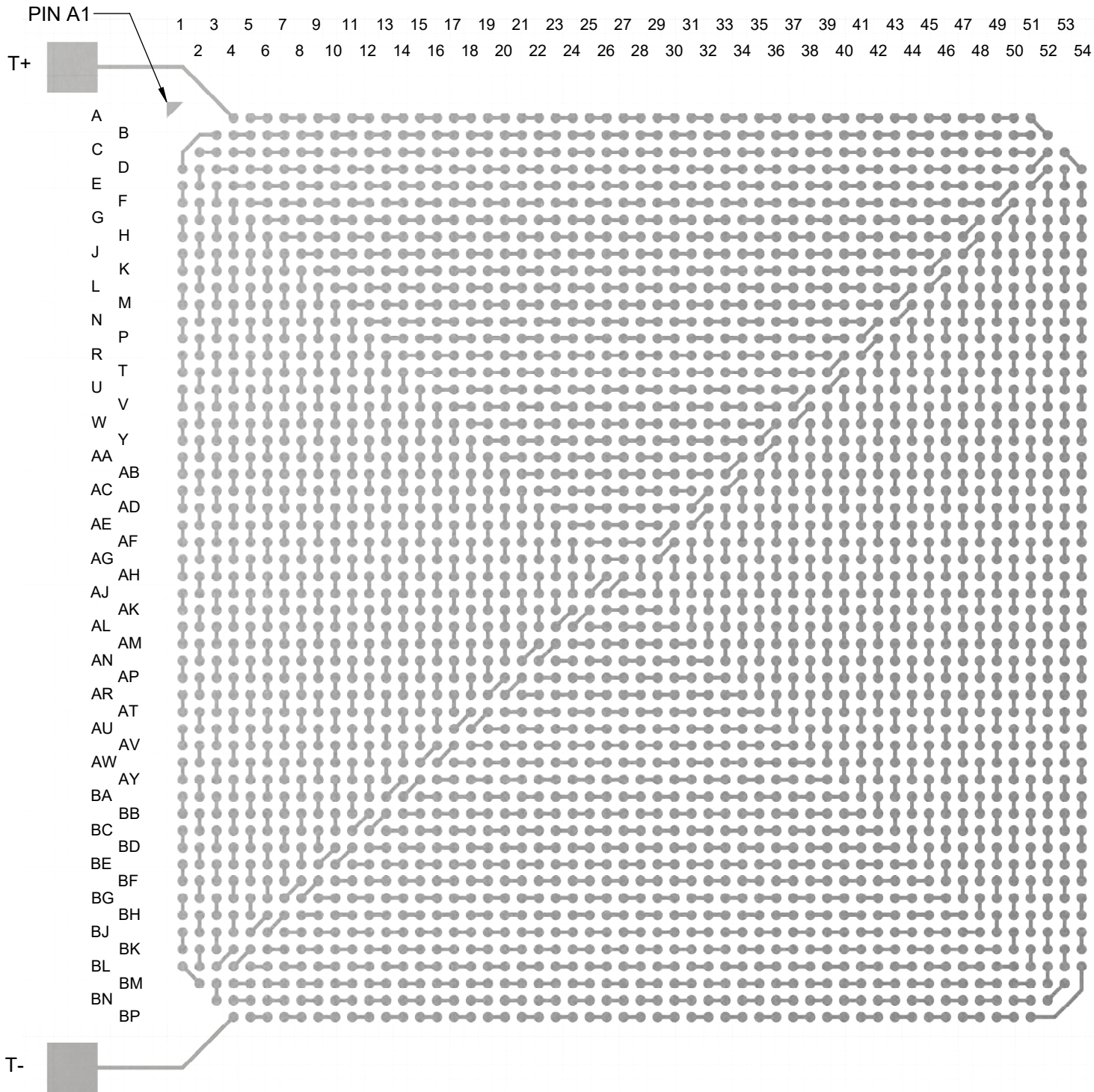
BOTTOM SIDE (TOP X-RAY VIEW)

PIN A1



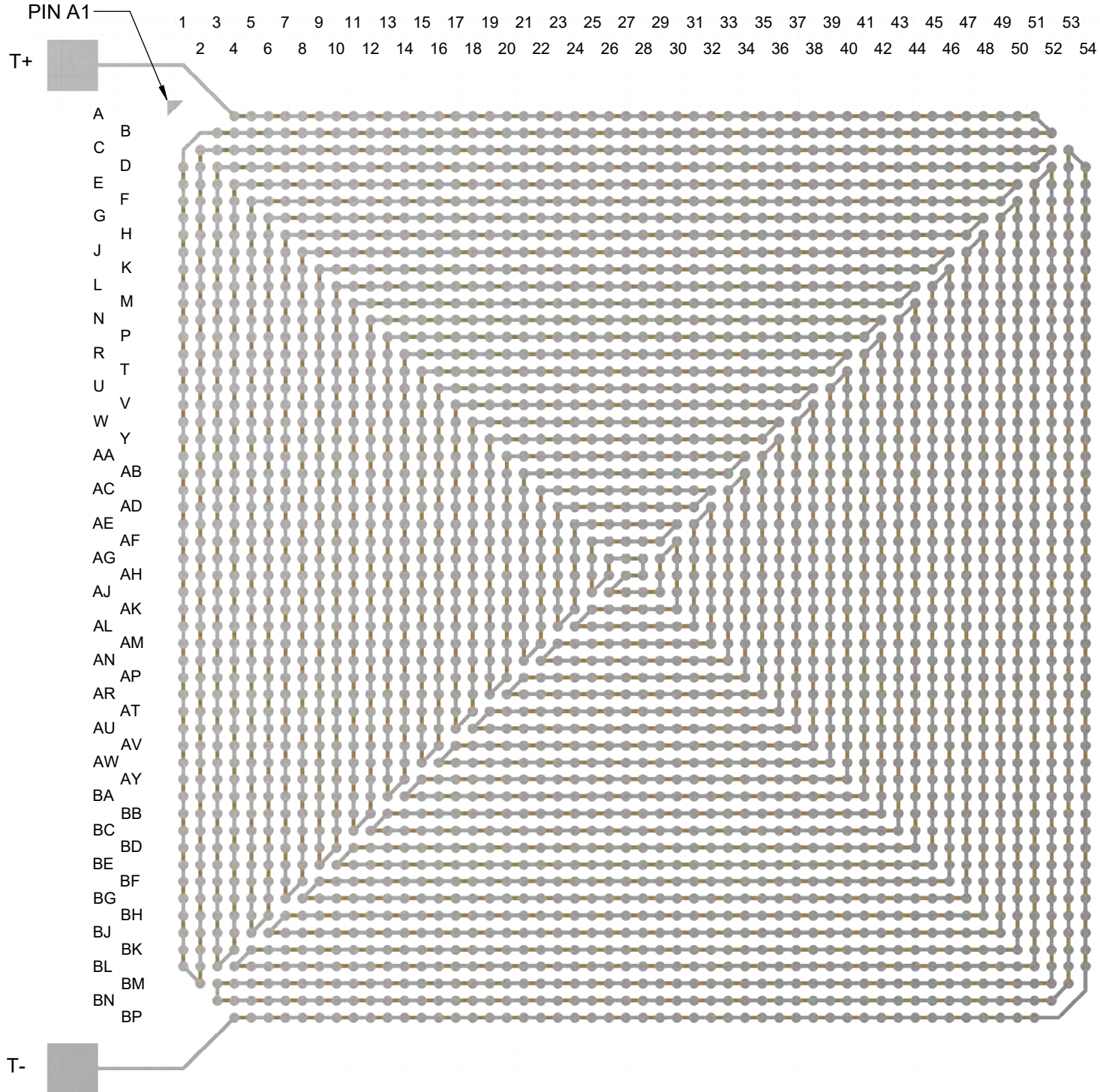
TITLE			
S8GA2892T1.0-DC547D DAISY CHAIN DUMMY			
SCALE	SIZE	DRAWING NO.	REV
3.5:1	A	515475	A
DO NOT SCALE DRAWING			SHEET 3 OF 10

PCB DESIGN



TITLE			
S8GA2892T1.0-DC547D DAISY CHAIN DUMMY			
SCALE	SIZE	DRAWING NO.	REV
3:1	A	515475	A
DO NOT SCALE DRAWING			SHEET 4 OF 10

AFTER MOUNTING



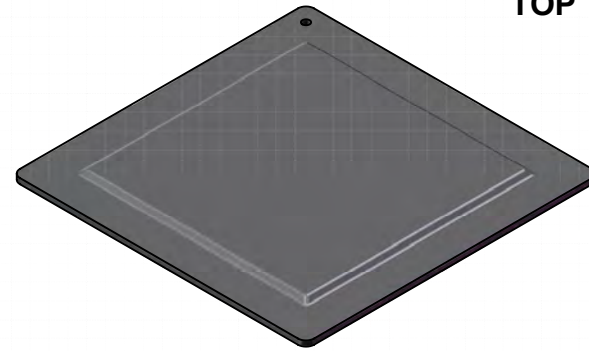
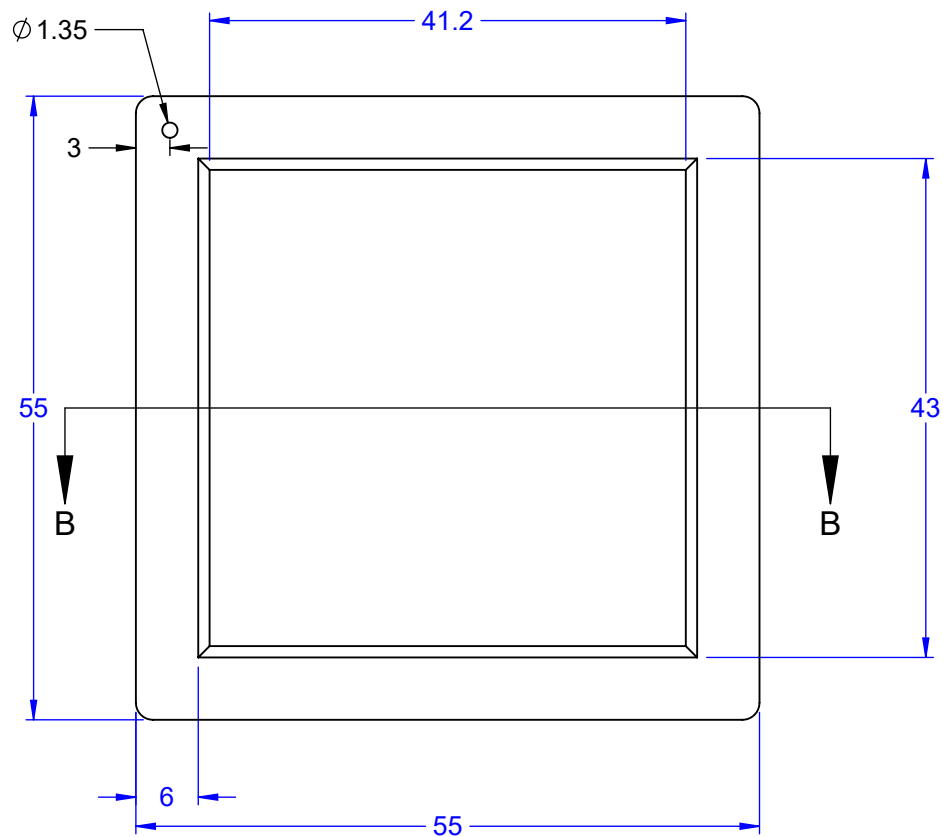
TopLine®

TITLE SGA2892T1.0-DC547D
DAISY CHAIN DUMMY

SCALE 3:1	SIZE A	DRAWING NO. 515475	REV A
--------------	-----------	-----------------------	----------

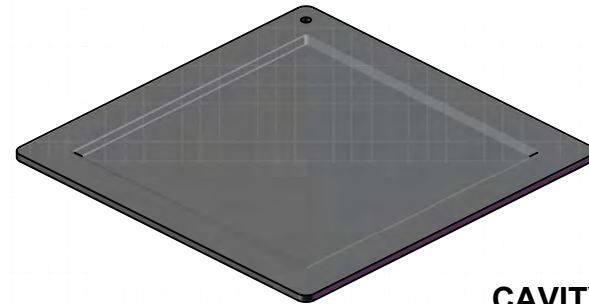
DO NOT SCALE DRAWING SHEET 5 OF 10

HEAT SPREADER

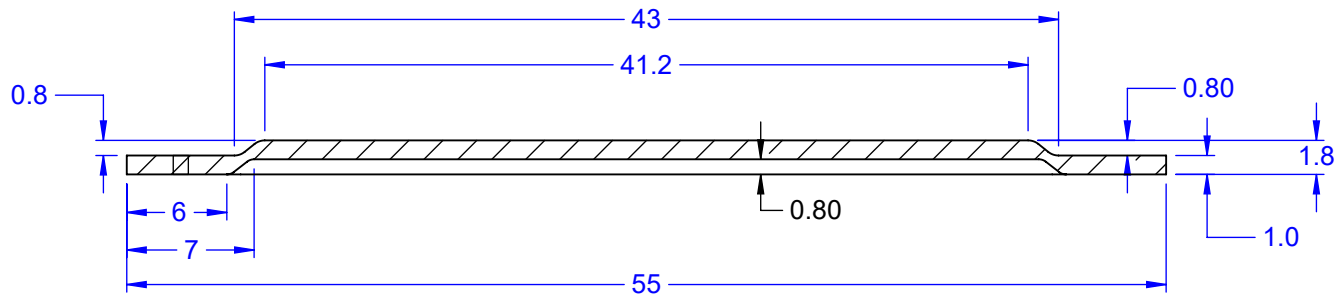


TOP

MODEL



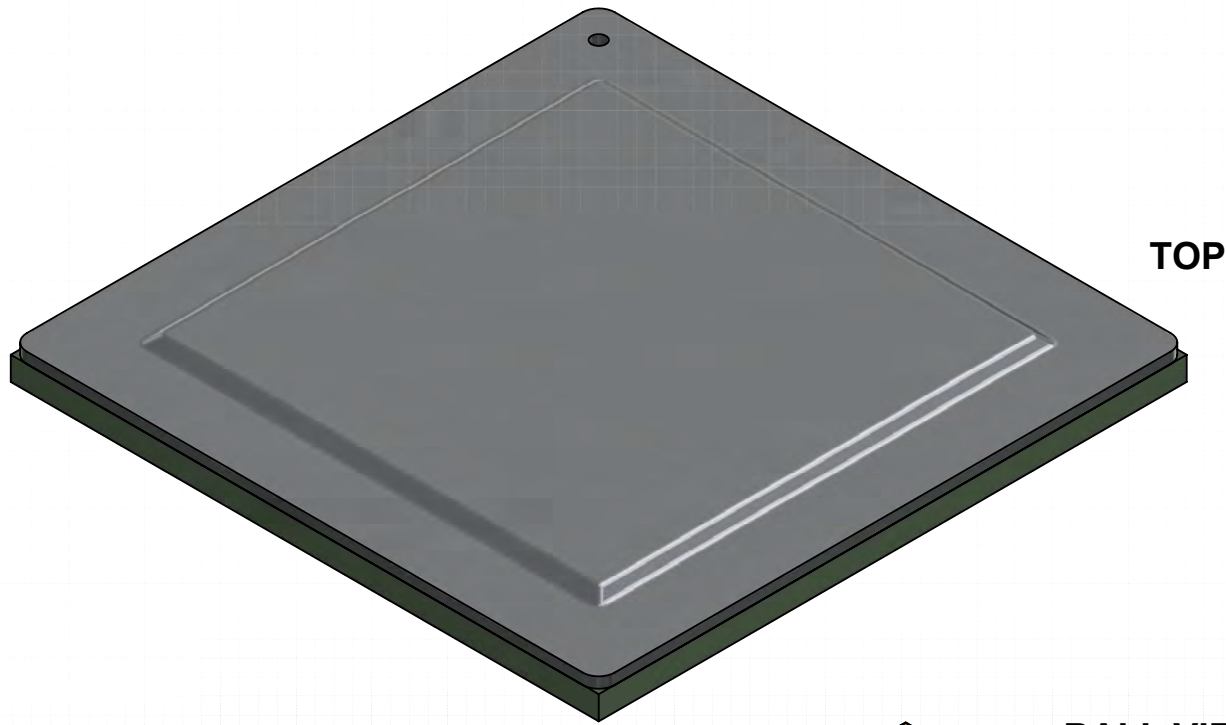
CAVITY



SECTION B-B
SCALE 3 : 1

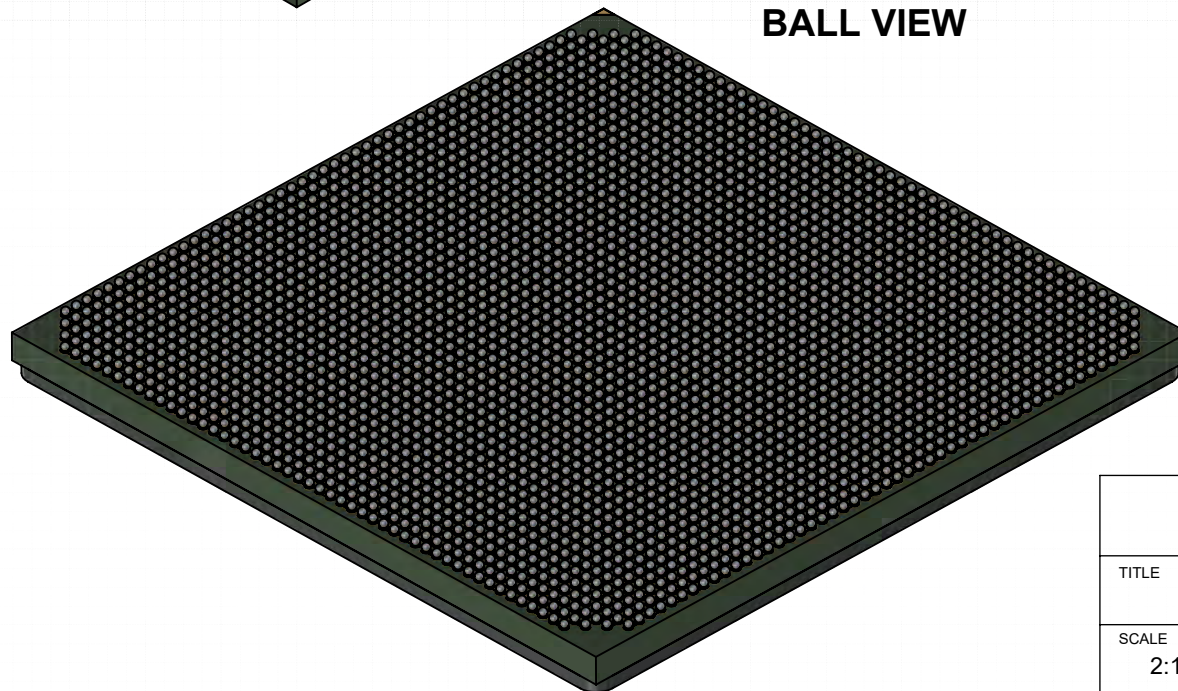
TopLine®			
TITLE SBGA2892T1.0-DC547D DAISY CHAIN DUMMY			
SCALE 3:2	SIZE A	DRAWING NO. 515475	REV A
DO NOT SCALE DRAWING			SHEET 6 OF 10

MODEL



TOP

BALL VIEW



TopLine[®]

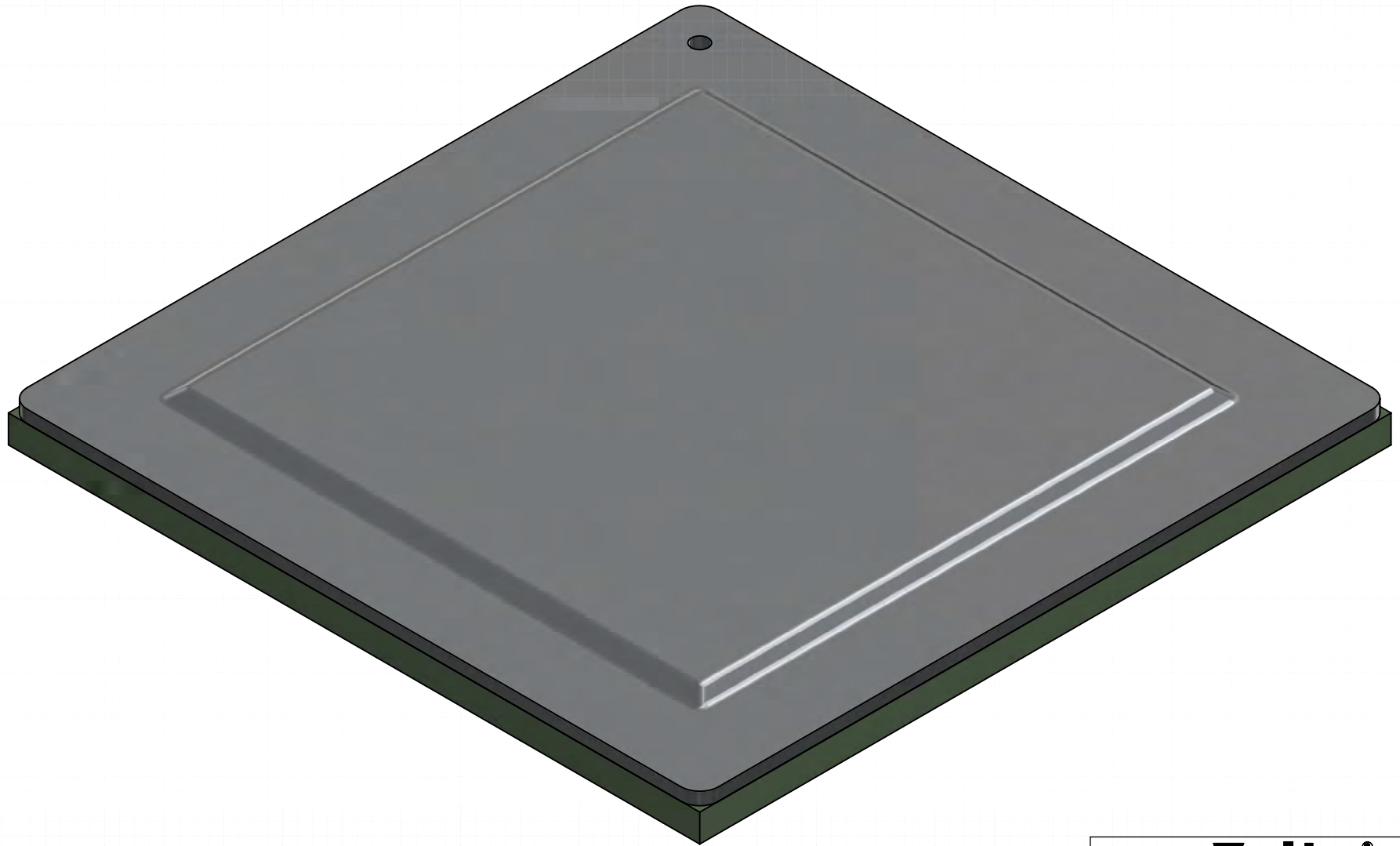
TITLE SBGA2892T1.0-DC547D
DAISY CHAIN DUMMY

SCALE 2:1	SIZE A	DRAWING NO. 515475	REV A
--------------	-----------	-----------------------	----------

DO NOT SCALE DRAWING

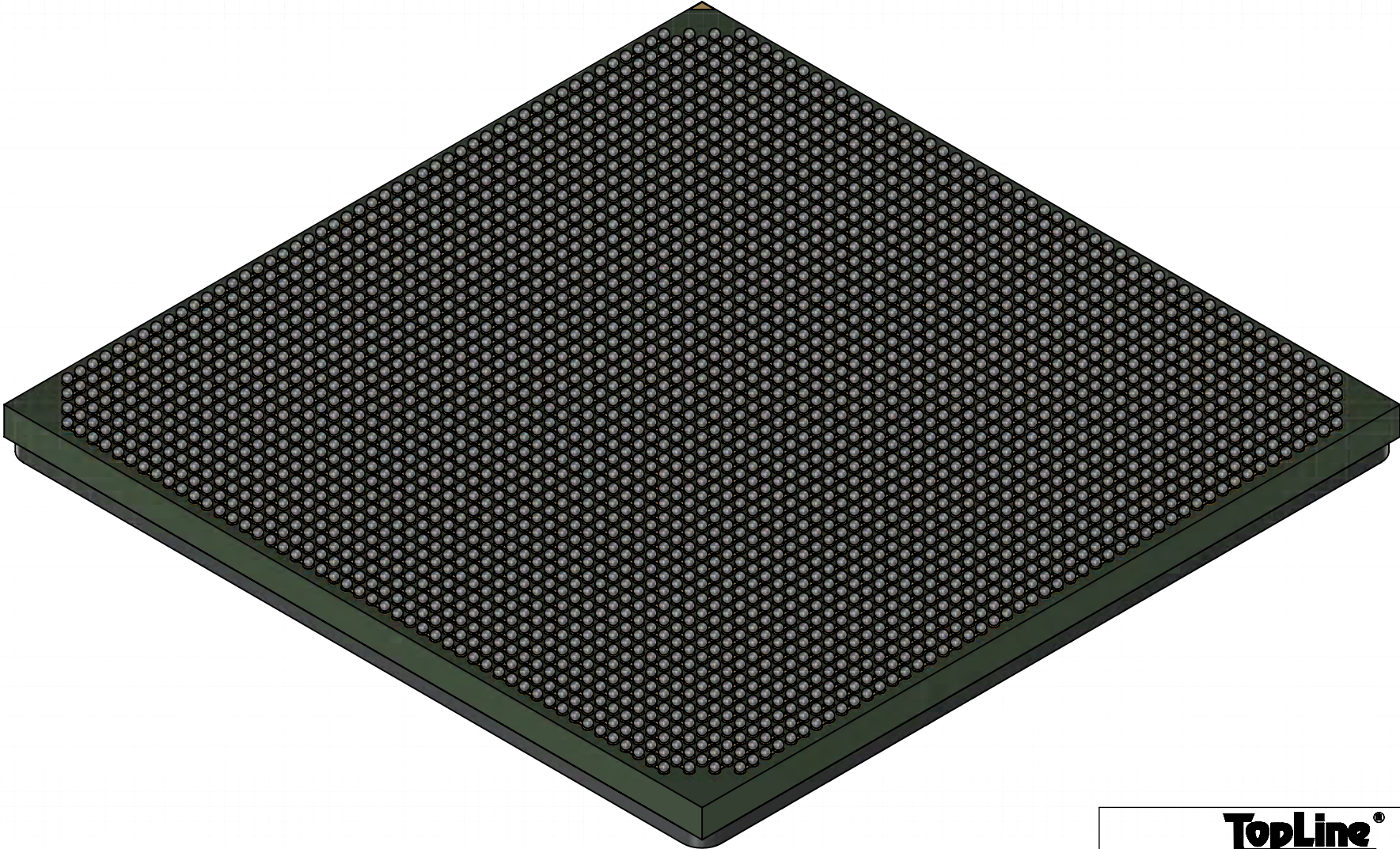
SHEET 7 OF 10

**MODEL
TOP VIEW**



TopLine[®]			
TITLE		SBGA2892T1.0-DC547D DAISY CHAIN DUMMY	
SCALE	SIZE	DRAWING NO.	REV
3:1	A	515475	A
DO NOT SCALE DRAWING			SHEET 8 OF 10

**MODEL
BALL VIEW**

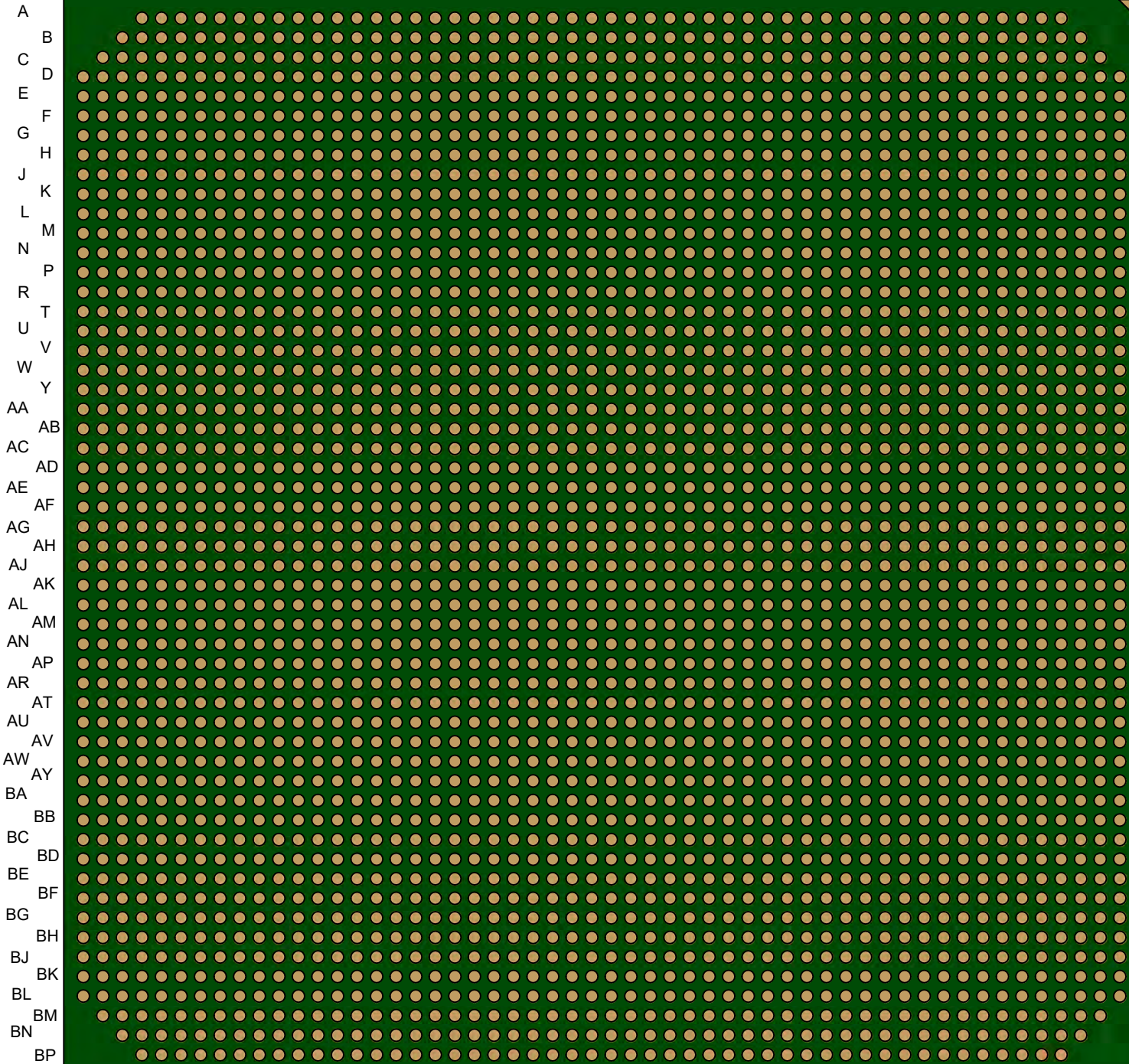


TopLine[®]			
TITLE		SBGA2892T1.0-DC547D DAISY CHAIN DUMMY	
SCALE	SIZE	DRAWING NO.	REV
3:1	A	515475	A
DO NOT SCALE DRAWING			SHEET 9 OF 10

BOTTOM SOLDERMASK (RIGHT READING)

54 52 50 48 46 44 42 40 38 36 34 32 30 28 26 24 22 20 18 16 14 12 10 8 6 4 2
53 51 49 47 45 43 41 39 37 35 33 31 29 27 25 23 21 19 17 15 13 11 9 7 5 3 1

PIN A1



TITLE SPGA2892T1.0-DC547D DAISY CHAIN DUMMY			
SCALE	SIZE	DRAWING NO.	REV
3.5:1	A	515475	A
DO NOT SCALE DRAWING			SHEET 10 OF 10